



ORGANIZE WITH
PRECISION
STORE WITH EASE.
**INTRODUCING
STORAGE
CABINET**





KEY FEATURES AND BENEFITS



1

SS 304 STEEL CONSTRUCTION

Superior corrosion resistance & durability.
Easy to clean and maintain.

2

FULL CUSTOMIZATION

Tailor-made sizes and layouts to optimize your workspace.
Flexible shelving and compartments for specific tooling needs.

3

SPECIALIZED TRAYS FOR PUNCHES & DIES

Prevents scratches and damage.
Organized storage for easy access.

4

ENHANCED SAFETY & LONGEVITY

Protects against moisture and contaminants.
Shock-absorbing design prevents wear and tear.



KEY FEATURES AND BENEFITS



5

ERGONOMIC & USER-FRIENDLY

Smooth-glide drawers & easy access.
Streamlined workflow for efficient operations.

6

PREMIUM AESTHETIC

Sleek, polished finish enhances your facility's look.
Optimized space utilization for cleanliness.

7

HEAVY-DUTY BUILD

Supports heavy loads without compromising stability.
Seamless, robust construction for long-term use.

8

ENVIRONMENTAL PROTECTION

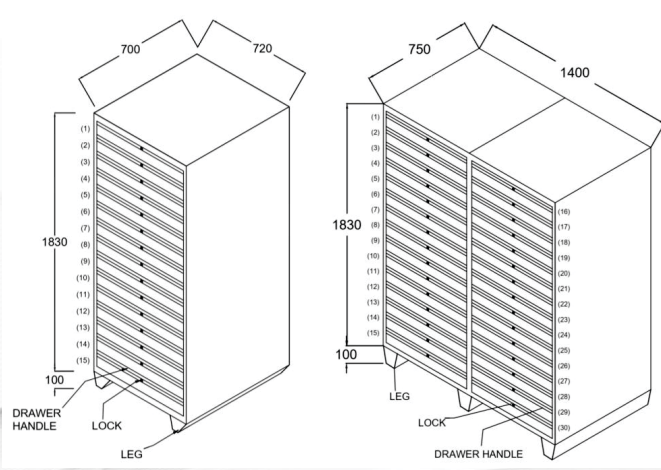
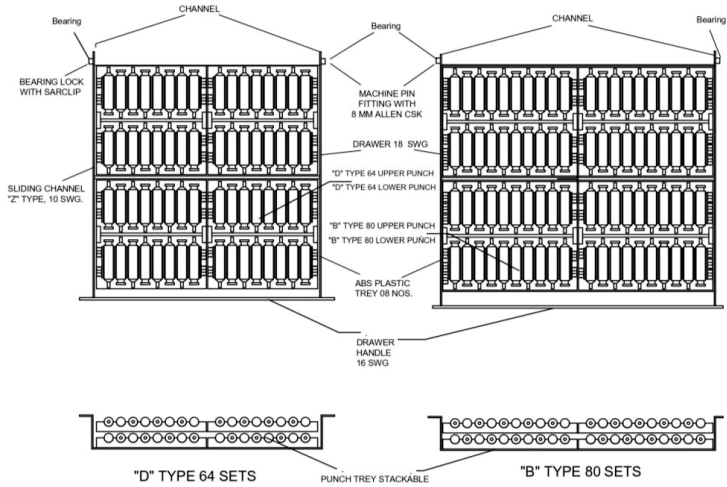
Anti-rust & scratch-resistant interior.
Designed to withstand high-humidity environments.



Custom Solutions. Superior Quality. Perfect Fit.

We, at KTT PharmaTech, specialize in designing and manufacturing custom storage cabinets tailored to meet the unique needs of your tool room. Understanding that every workspace is different, we collaborate closely with our clients to create solutions that maximize organization, efficiency, and space utilization.

Whether you need cabinets for specific tools, equipment, or accessories, our designs are built with precision, quality, and functionality in mind. Let us help you optimize your tool storage, ensuring a clutter-free and productive environment that works for you.



Thank You!



KTT PharmaTech

(a division of **KanTaäiTi**)

Tel: +91-9320001571 / +91-9326099808

E: sales@kttpharmatech.com /

info@kttpharmatech.com

W: www.kttpharmatech.com

